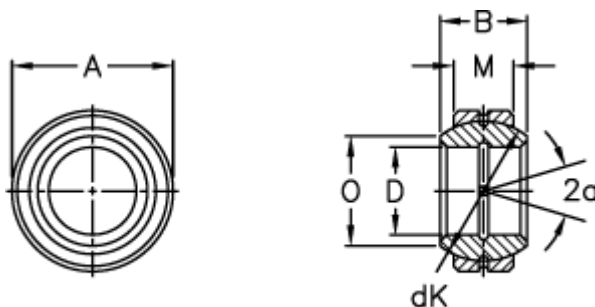


Article number: 03505008

Description: Fluro Rod end GE 8FO

Measures



Str. 6–12 uden smørerille

A	= 19 0 -0,009	Tilt angle = 21
B	= 11	Weight = 14
D	= 8 0 -0,008	
dK	= 16	
Dynamic load C (kN)	= 8.1	
M	= 6	
O	= 11.6	
Static load C0 (kN)	= 40.5	